

New Edge Switch E20BK1

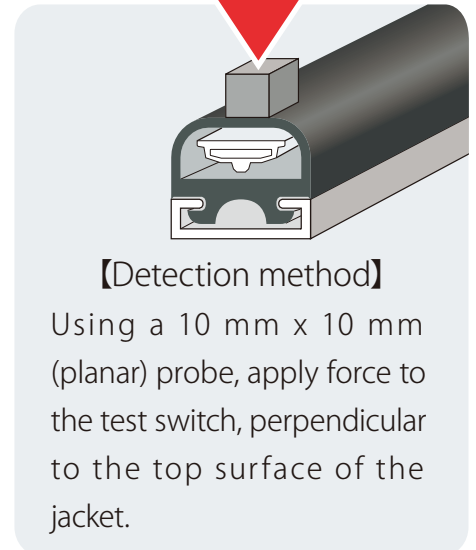
"ON"
at the end

Edge Switch
Free of non-sensing section
Now Available!

Type Number : E20BK1

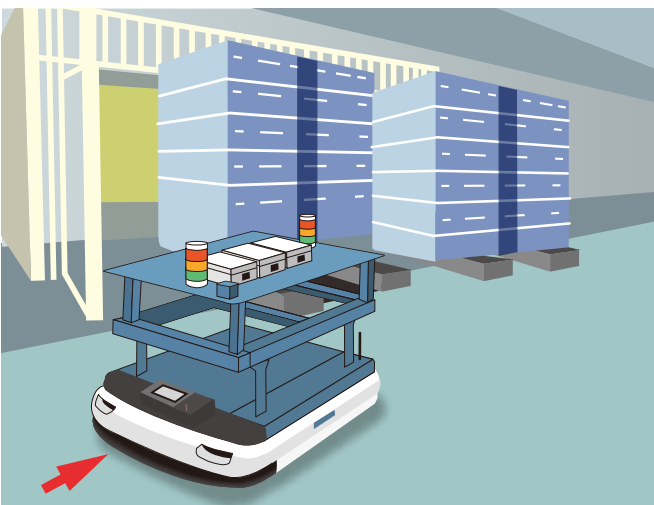
Characteristic

- Switch on at the end(See the right)
- Adaptable for the cold area down to -20°C
- Curved Edge Switch is available (R=150mm min.)
- 4-wire tape switches and terminating-register-integrated tape switches can be combined with an interface controller(CG1 series) to provide wire-breaking detection capability.



Applications

- Automatic guided vehicle
- Mobile Service Robot



New Edge Switch E20BK1

■ Specification

Actuating force	Approx. 20N
Maximum length	7,000mm
Weight	Approx. 600g/m
Applicable aluminum channel	AC-302
Maximum aluminum channel length	3,000m

■ Electrical characteristics*1

Rated voltage	AC/DC 5 to 24V
Rated current	0.01~0.3A (Resistive load)
Interelectrode withstand voltage	DC250V, 1 minute
Interelectrode insulating resistance	100M Ω or higher (DC250V)
Resistance at normal temperature	0.6 Ω /m

* 1 Terminating-resistor-integrated tape switches are excluded.

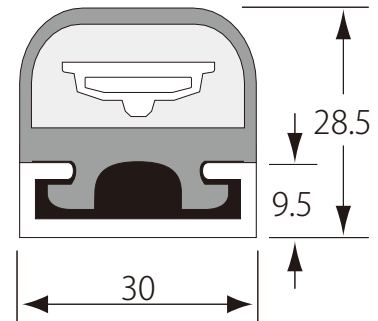
For terminating-resistor-integrated tape switches, contact the sales representative serving your locality

■ Ambient environment and environmental performance

Operating temperature range	-20 to 50°C (Noncondensation)
Storage temperature range	-20 to 60°C
Storage humidity range	90%RH or lower
Oil resistant	Fair
Organic solvent resistance	Poor
Waterproof specifications (optional)*2	JIS C 0920:2003 protection class 7

* 2 Waterproofness is guaranteed by the tape switch incorporated in the edge switch.

Cross sectional view shape (Dimensions in mm)



Edge switch estimates and ordering information (Dimensions in mm)

E20BK1 T/L1200 L/W500 2-wire wires drawn from one side
① ② ③ ④ ⑤

①Type (color) ②T/L (total switch length) ③L/W (lead wire length: 500 standard)

④2-wire (standard)/4-wire/terminating resistor integrated ⑤lead wire drawing method

Contact the sales representative serving you locality for lead wire type, waterproof specifications, additional aluminum channel treatment, and other options.



Contact

No. 2 Kamei Bldg, 2-17-13 Kiba, Koto-ku,
Tokyo
Tel: +81-3-3820-5010
Fax: +81-3-3820-5020
E-mail : sales-d@t-sensor.co.jp
URL : <http://www.t-sensor.co.jp>

C40E01120160510001

