

Large Size Edge Switch E21BK0



Large Size of Edge Switch
Free of non-sensing section
Now Available!

Type Number : E21BK0

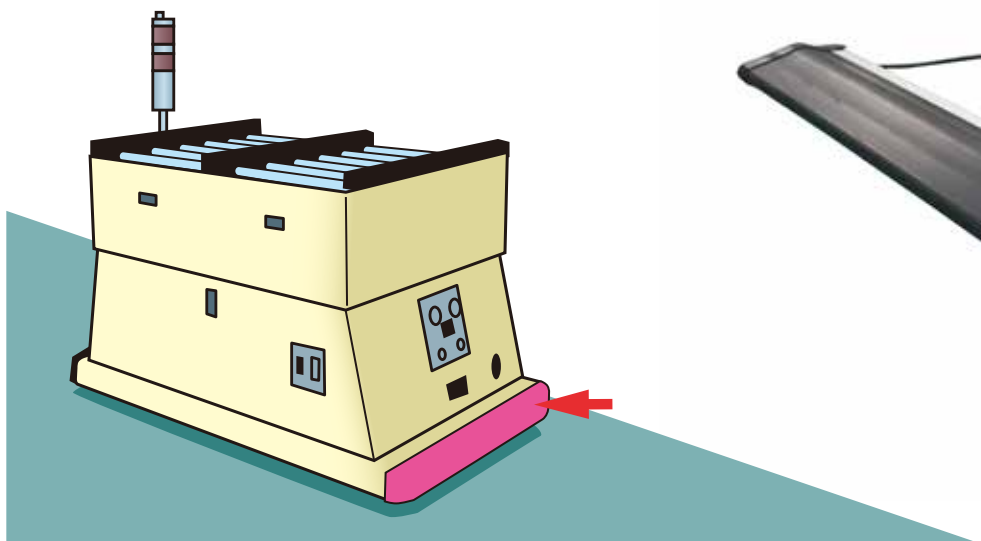
Characteristic

- Switch on at the end
- Switch on from an oblique direction
- Large Overstroke (Overtravel)
- Adaptable in the cold area down to -10°C



Application

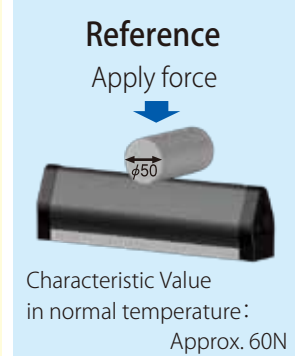
- Contact detection, Impact detection,
"Stuck in " detection of a door



Large Size Edge Switch E21BK0

■ Specification

Actuating force	Less than 150N
Length	200~2,000mm
Weight	Approx. 2,000g/m
Applicable aluminum mounting channel	AC-395
Maximum channel length	2,000mm
Wire Type	SVCTF 2C×2



■ Electrical characteristics*1

Rated voltage	AC/DC 5 to 24V
Rated current	0.01~0.3A (Resistive load)
Interelectrode withstand voltage	DC250V, 1 minute
Interelectrode insulating resistance	100MΩ or higher (DC250V)
Resistance at normal temperature	0.6Ω/m

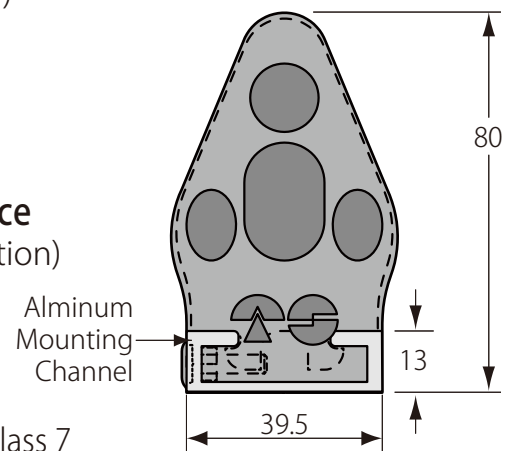
* 1 Terminating-register-integrated tape switches are excluded.
For terminating-register-integrated tape switches,
contact the sales representative serving your locality

■ Ambient environment and environmental performance

Operating temperature range	-10 to 50°C (Noncondensation)
Storage temperature range	-10 to 60°C
Storage humidity range	90%RH or lower
Oil resistant	Fair
Organic solvent resistance	Poor
Waterproof specifications (optional)*2	JIS C 0920:2003 protection class 7

* 2 Waterproofness is guaranteed by the tape switch incorporated in the edge switch.

A-Across Section



Edge switch estimates and ordering information (Dimensions in mm)

E21BK0 T/L1,200 L/W500 4-wire wires drawn from back side

①Type (color) ②T/L (total switch length) ③L/W (lead wire length: 500 standard)
④4-wire (standard)/terminating resistor integrated ⑤lead wire drawing method

Mounting screw (optional: Extra Low Head Screw M6×12mm, M6×20mm, M6×25mm)

Contact the sales representative serving you locality for lead wire type, waterproof specifications,
additional aluminum mounting channel treatment, and other options.



Contact

No. 2 Kamei Bldg, 2-17-13 Kiba, Koto-ku,
Tokyo
Tel: +81-3-3820-5010
Fax: +81-3-3820-5020
E-mail : sales-d@t-sensor.co.jp
URL : <http://www.t-sensor.co.jp>

